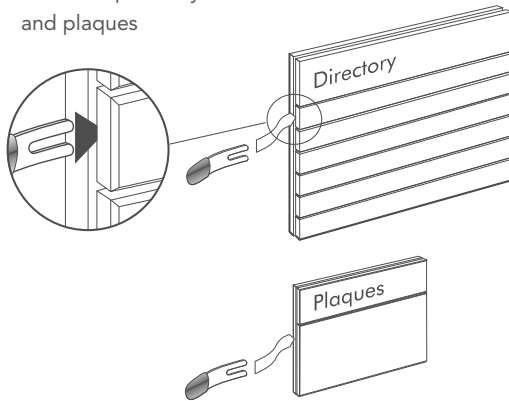


SnapLok™

Removal

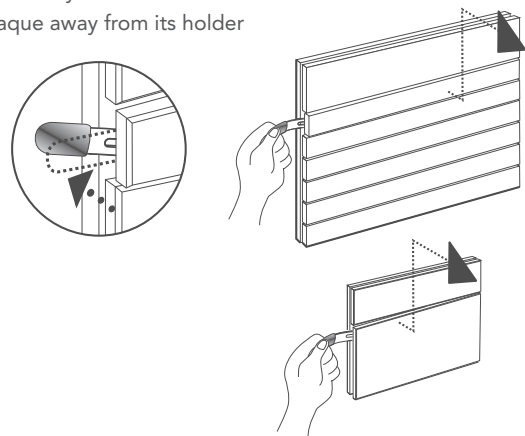
Step 1

Insert SnapLok key between holder and plaques



Step 2

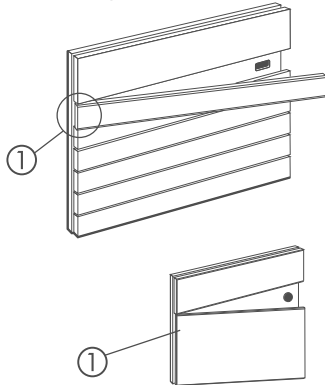
Push SnapLok key toward wall to pry the plaque away from its holder



Replacement

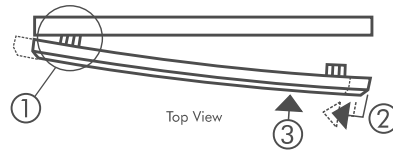
Step 1

Insert left edge of sign plaque into SnapLok hole in sign holder



Step 2

Push sign plaque to the left and straight back into the sign holder until it snaps in place.



Insert Plaques

Lens Removal

Unscrew set screw on underside center of the sign until the lens is released

